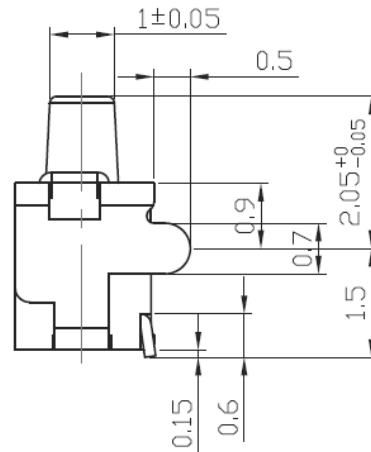
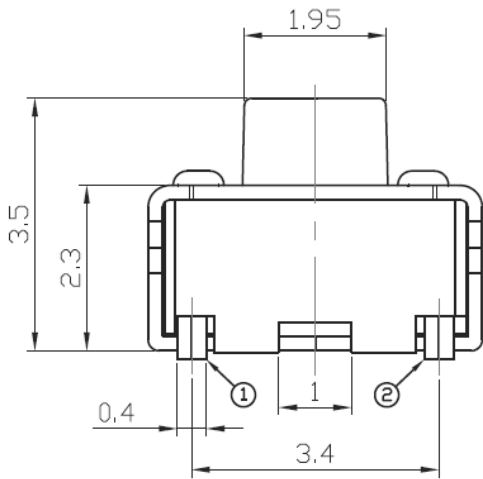
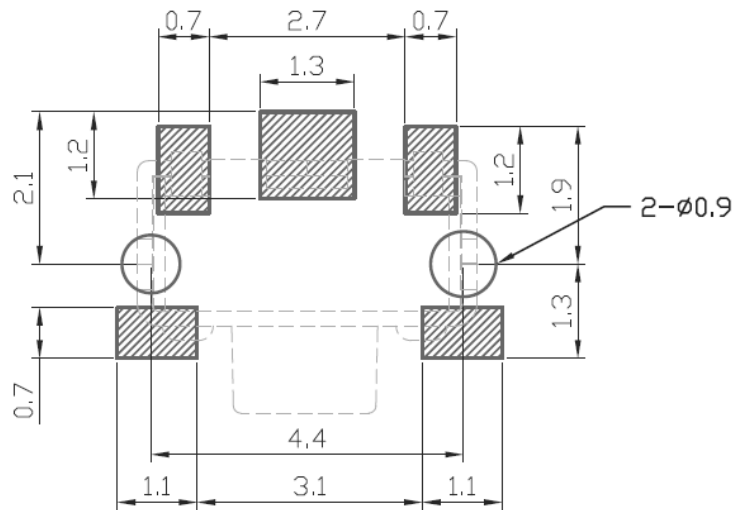
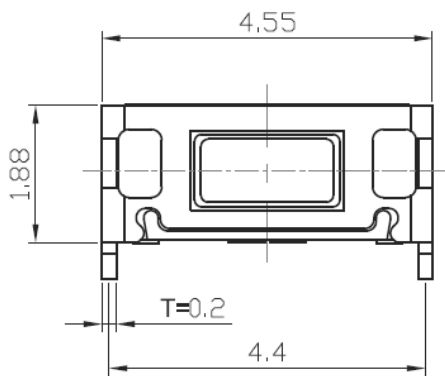


DIMENSIONS

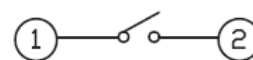


P.C.B MOUNTING PATTERN DIMENSION

The following soldering patterns are recommended for reflow soldering



CIRCUIT DIAGRAM



NOTES :

- 1.RATING : 50mA 12V DC
- 2.CONTACT RESISTANCE : 100mΩ MAX
- 3.STROKE : 0.15±0.1 mm
- 4.OPERATING FORCE : 160±50gf
- 5.OPERATING LIFE :100,000 CYCLES



銓基電子股份有限公司
ROKI ELECTRONICS CO., LTD.

PART NAME : TACT SWITCH

SCALE :

PART NO : TS23M-BN-PT-PF

UNIT : mm

TOLERANCE : ±0.2 mm



DESIGN : R02